

Making homes remarkably comfortable and highly energy efficient

R-Comfort™
House Wrap



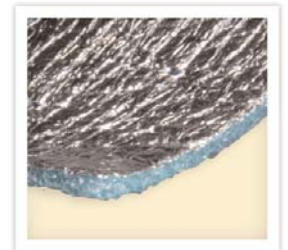
Experience greater comfort in your home and lower home energy bills with R-Comfort™ House Wrap



Gorell's new R-Comfort™ House Wrap makes homes so energy efficient that you will experience both a new level of comfort—and lower home heating and cooling bills.

This remarkable reflective insulating product, a by-product of America's space program, prevents heat from escaping through your walls in cold weather and actually reflects it back into your home. In warm weather, R-Comfort House Wrap reflects heat away from your home's exterior walls to keep your home cooler—and your home cooling system from running continuously.

R-Comfort House Wrap is an ENERGY STAR® labeled product that also qualifies for the \$1,500 Tax Credit program in 2010!



R-COMFORT HOUSE WRAP

- Makes your home more comfortable year round.
- Lowers cooling costs in summer and heating costs in winter.
- Qualifies for the 2010 federal tax credit program.
- Provides a permanent insulating barrier that is puncture- and tear-resistant.
- Installs easily and quickly.
- ENERGY STAR® labeled.
- Tested to ASTM standards.
- Warranted for 20 years.

Gorell®
WINDOWS & DOORS

www.gorell.com

R-Comfort House Wrap

Made of nontoxic, hypoallergenic components, R-Comfort™ House Wrap features a pure aluminum facing that's "flame-laminated" to a specially made closed-cell polyethylene core insulation. This house wrap is unique in that it's "core-perforated" to allow for effective vapor transfer. Pin-perforated insulating products simply can't match the superb thermal performance and weather-resistant properties of R-Comfort House Wrap.

Used successfully for years, R-Comfort House Wrap was developed with a unique blend of space-age technology and materials that make it remarkably effective. It qualifies for both the EPA's ENERGY STAR® label and the federal government's 2010 Tax Credit program.

R-Comfort House Wrap is thin, lightweight and flexible—making it a breeze to work with and install to the exterior walls of your home before siding is applied. It's so thin that it adds practically no thickness to the wall profile. This eliminates the need for extra detailing around framed openings. R-Comfort House Wrap is available in easy-to-handle 4 ft. and 5 ft. rolls.

R-Comfort insulation products are manufactured for Gorell by Environmentally Safe Products, Inc., a leader in reflective insulating materials for more than 20 years.

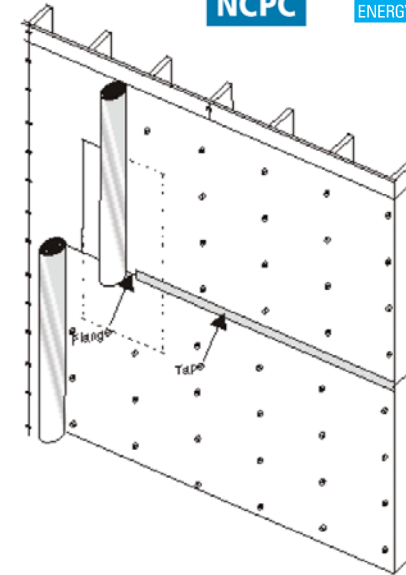
PRODUCT NAME: R-Comfort House Wrap
FINISHED DIMENSIONS: 48" x 125' (standard)
60" x 100' (special order) Shipped in roll form. 1/8" product available upon special order.
CORE MATERIAL: Polyethylene
FACING: 99.4% polished aluminum; non-reinforced on one side.
PERM RATING: ASTM E - 96:7, or 40 grams/(day-m2), based on single-sided house wrap.
WATER RESISTANCE: ASTM D779: 9 hrs.
R-VALUE: R-4*

* System R-values calculated by GEOSCIENCE LTD.
Report available upon request.

• R-values may vary depending on facing assembly

Notes:

1. This product is only to be installed as an exterior house wrap.
2. Aluminum is an electrical conductor. Please use caution when working around electrical sources, including overhead power lines.



A Green Future

Gorell works hard to be an environmentally responsible "green" manufacturer. It's our goal to produce the most energy-efficient products available because we recognize the value this brings to you—and to the country. We strive to save energy, safeguard the environment and reduce our carbon footprint. This will help decrease America's dependence on foreign countries for oil and other resources—and help everyone save money.



Gorell R-Comfort House Wrap qualifies for the ENERGY STAR® label.